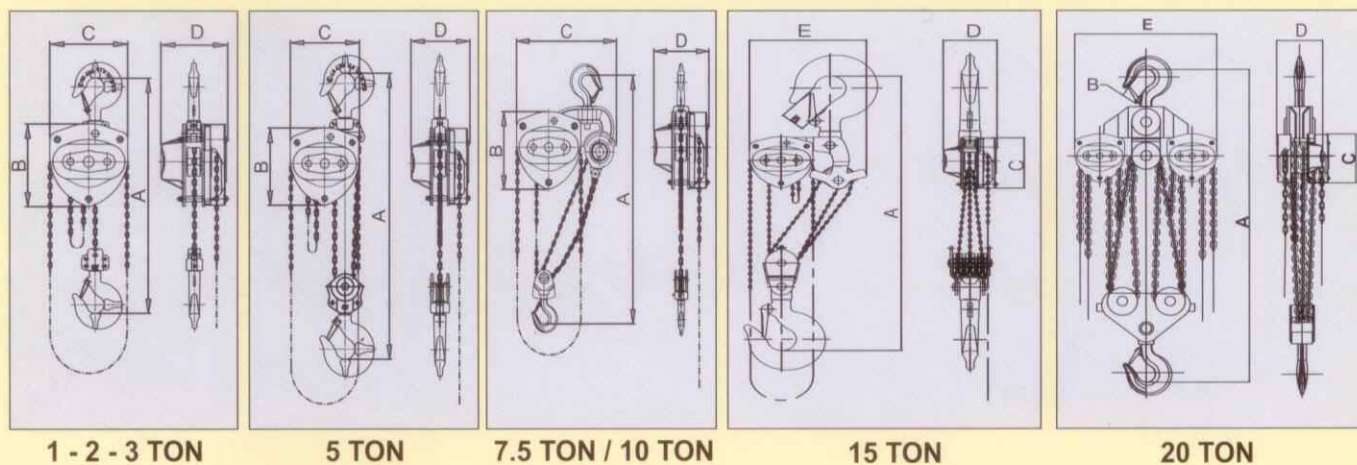




- An Excellent Product from the Manufactures of **POWERFULL Bemco®** Brand Equipment in India.
- 1 T, 2 T, 3 T All chain pulley blocks are in single fall
- With  Mark up to 10 Tons and as per IS 3832 specifications.
- 1 year warranty against any manufacturing defects on Ex-works basis.
- Overload tested to 150 % of safe working load (Working load limit) certificate with every block
- Light Weight & Compact Body
- Powder Coated, strong & safe IS : 15560 Hooks with Stainless Steel Safety Latches.
- Anti - Corrosive, Powder Coated Exteriors
- Wear Resistant Grade 80 Alloy Load Chain
- Wear Free Parts & Rust Free Chains
- Annual Testing & Service option available
- Additional test certificate as per Factory Act in form 11 or IDLR T/C, available on request
- Other available Products and accessories.
- Heavy Duty Products ISI Mark Chain Pulley Blocks.
- Beam Travelling Trolleys in Pull-Push Type and Gear Type.
- Mono-blocks i.e. Chain Pulley Block Coupled Directly on Travelling Trolley as Single Equipment.
- Chain Pulley Blocks in Stainless Steel Body & S. S. Chains.
- Non-spark Chain Pulley Blocks & Non-spark Beam Travelling Trolleys available.

## Specifications for POWERFUL Bemco® Super 'P' Series Robust Chain Pulley Block.

	1	2	3	5	7.5	10	15	20
STANDARD LIFT IN METRES	3	3	3	3	3	3	3	3
HAND POWER REQUIRED IN -Kgs - + 10%	25	28	41	42	43	43	50	50
SHORTEST DISTANCE BETWEEN HOOK IN mm	410	507	550	710	920	930	1050	1200
LOAD CHAIN DIA IN mm	6.3	8	10	10	10	10	10	10
NO OF FALLS	1	1	1	2	3	4	6	8
VELOCITY RATIO - + 10%	60	108	110	220	330	440	600	850
NET WEIGHT WITH 3 METRES LIFT Kgs	13.5	19.5	35.0	45.0	87.5	108.0	125.8	179
GROSS WEIGHT WITH 3 METRES LIFT - Kgs	14.0	20.5	38.0	57.0	110.0	140.0	169.8	236



1 - 2 - 3 TON

5 TON

7.5 TON / 10 TON

15 TON

20 TON

### PRINCIPAL DIMENSIONS (mm)

CAPACITY (TONS)	Dimension A	Dimension B	Dimension C	Dimension D	
1	410	175	165	151	
2	507	215	201	178	
3	550	255	240	205	
5	710	255	240	205	
7.5	920	255	440	205	
10	930	255	440	205	
CAPACITY (TONS)	Dimension A	Dimension B	Dimension C	Dimension D	Dimension E
15	1050	72.7	255	205	590
20	1200	74	255	205	690

Authorised Dealer :